

## funkwerk FB-4

### DECT over IP Base Station



The funkwerk FB4 IP base station enables a high-performance DECT/IP communication network to be implemented in a straightforward, flexible manner – and be adapted to meet individual requirements and circumstances. All cordless telephony functions of the central IP telephony system are supported by the base station, while the DECT Controller makes configuring the DECT network a user-friendly and convenient process.

Thanks to the IP interfaces the DECT base station has the flexibility to be integrated in existing or dedicated IP infrastructures – either via copper or fibre optic cable. This means that planning and execution can be done on site, simply and cost-effectively.

Additionally, when linked to a funkwerk Security Server, the f.airnet DECT over IP infrastructure enables a personal security system to be set up, which complies with the requirements of the Federal German Employers' Liability Insurance Association regarding the safeguarding of lone workplaces. The Security Server monitors and checks the reporting process, the relaying of alarms and the logging of alarm events, as well as performing a cyclic function check of the subscriber devices and the base station. Multiple programming possibilities allow security and alarm processes to be customised in detail to the individual requirements of the customer.

Integrated contacts enable the greatest possible range of technical installations to be connected to the funkwerk FB4, which can relay the specified events or conditions of each contact, such as temperature measurement devices, filling-level indicators, door contacts, motion sensors, etc. by means of DECT messaging information.

## funkwerk DC50 / DC100 / DC200

### DECT Controller



The funkwerk DC50, DC100 and DC200 DECT Controllers form the central management nexus of the complex DECT infrastructure. Using the DECT Controller, one can configure all functions of the DECT system via a clear, easy-to-interpret Web-based front-end while maintaining control over all the terminals connected to the network.

The scan function automatically recognises all the interconnected base stations. DECT and DECT over IP encryption, VLANs, SIP functions for Voice over IP telephony and many other aspects are configured via the DECT Controller.

Offering a comprehensive overview, the DECT Controller also enables the centralised management of servicing and monitoring functions. Synchronisation of the funkwerk FB4 and mass deployment of the DECT handsets is also supported, as is time-setting via the NTP server and SNMP.

This offers an uncomplicated means of opening the DECT environment to existing SIP and Voice over IP telephone exchanges (PBX). What is more, by connecting a Security Server to the funkwerk DECT Controller, alarm and messaging functionality can even be extended to the VoIP-PBX systems of other manufacturers (in most cases).

## funkwerk FB4 DECT over IP Base Station

### Technical Data

Dimensions	203 x 155 x 27 mm approx.
Temperature range	Operation: -10 ... +45 °C Storage: -40 ... +85 °C
Power supply	Power over Ethernet or separate 230 V plug-in power supply
Network connection	Selectable - Ethernet TP or FX

### funkwerk FB4 IP TP

Interface Standard	IEEE 802.3u - 100 Base TX Fast Ethernet (twisted pair copper) IEEE 802.3 - 10BaseT Ethernet (twisted pair copper)
Network cable	RJ45-8p, UTP Cat. 5 E (100 m max.) EIA/TIA-568 - 100 Ohm STP (100 m max.)
PoE (Power over Ethernet)	IEEE 802.3af, Power Class 1, supplied via RJ45-8p pin (1, 2 and 3, 6) Phantom power on RX, TX, or supplied via RJ45-8p pin (4, 5 and 7, 8), supplied via unused wire pairs 0,44 ... 3,84 W, 36 ... 57 V

### funkwerk FB4 IP FX

Interface-Standard	IEEE 8092.3u - 100BaseFX Fibre Interface
Network cable	LWL with LC jack
Multimode fibre	62,5 / 125 mm (max. 9000 m) 50 / 125 mm (max. 5000 m)

### Contact interfaces

Contact connection	for the relaying of local data, which can be transferred via a contact, such as temperature reports, fill-level indications, door alarms, motion-detectors, etc.
--------------------	--

### Ex-preparation

prepared for Ex-Zone 1, Ex-Zone 2

## funkwerk DC50/DC100/DC200 DECT Main Control Unit

### Configuration

Convenient configuration on PC via Web front-end
Scan function with automatic recognition of all connected base stations
Configuration of DECT encryption
SNMP supported
VLAN supported
Encrypted transmission of IP-DECT signals on the LAN
Mass deployment
Various monitoring functions (servicing and logging)
SIP configuration (conversion of DECT subscribers to SIP subscribers)

### Synchronisation of the base stations

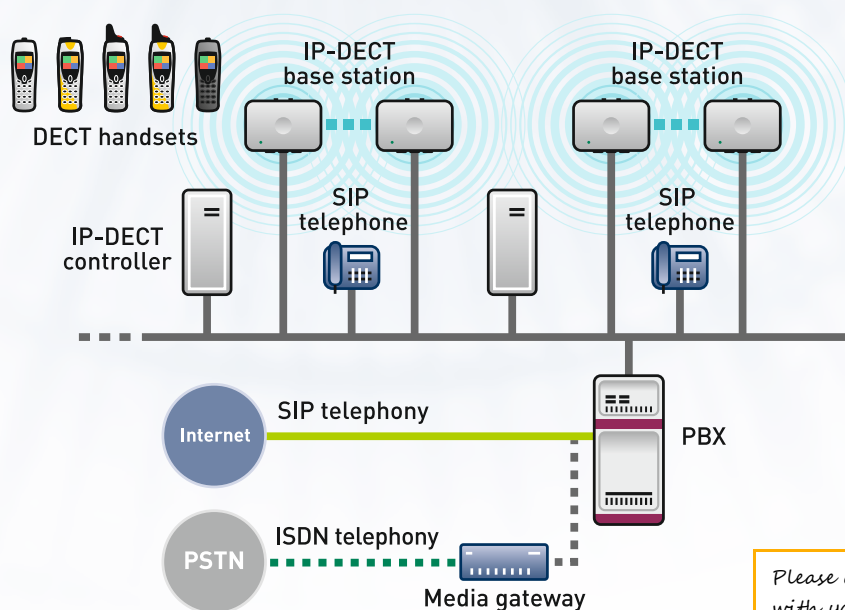
via wireless interfaces
via Ethernet (IEEE 1588-compliant, as from Q2/2013 (approx.), with special hardware)
mixed

### PBX connection

Interoperable with existing SIP-/VoIP-PBX
Simple means of making a DECT environment available to existing SIP-/VoIP-PBX
When installed in conjunction with funkwerk Security Server, offers alarm and messaging functionality to most SIP-/VoIP-PBX

### Performance spectrum

funkwerk DC50	up to 20 DECT handsets up to 20 IP base stations up to 10 simultaneous connections
funkwerk DC100:	up to 250 DECT handsets up to 100 IP base stations up to 40 simultaneous connections
funkwerk DC200:	up to 1,000 DECT handsets up to 250 IP base stations up to 60 simultaneous connections



Please contact us  
with your inquiry



P. O. Box 31195, Ajman  
United Arab Emirates

contact@airtracer.com  
+971 (0)6 7478252